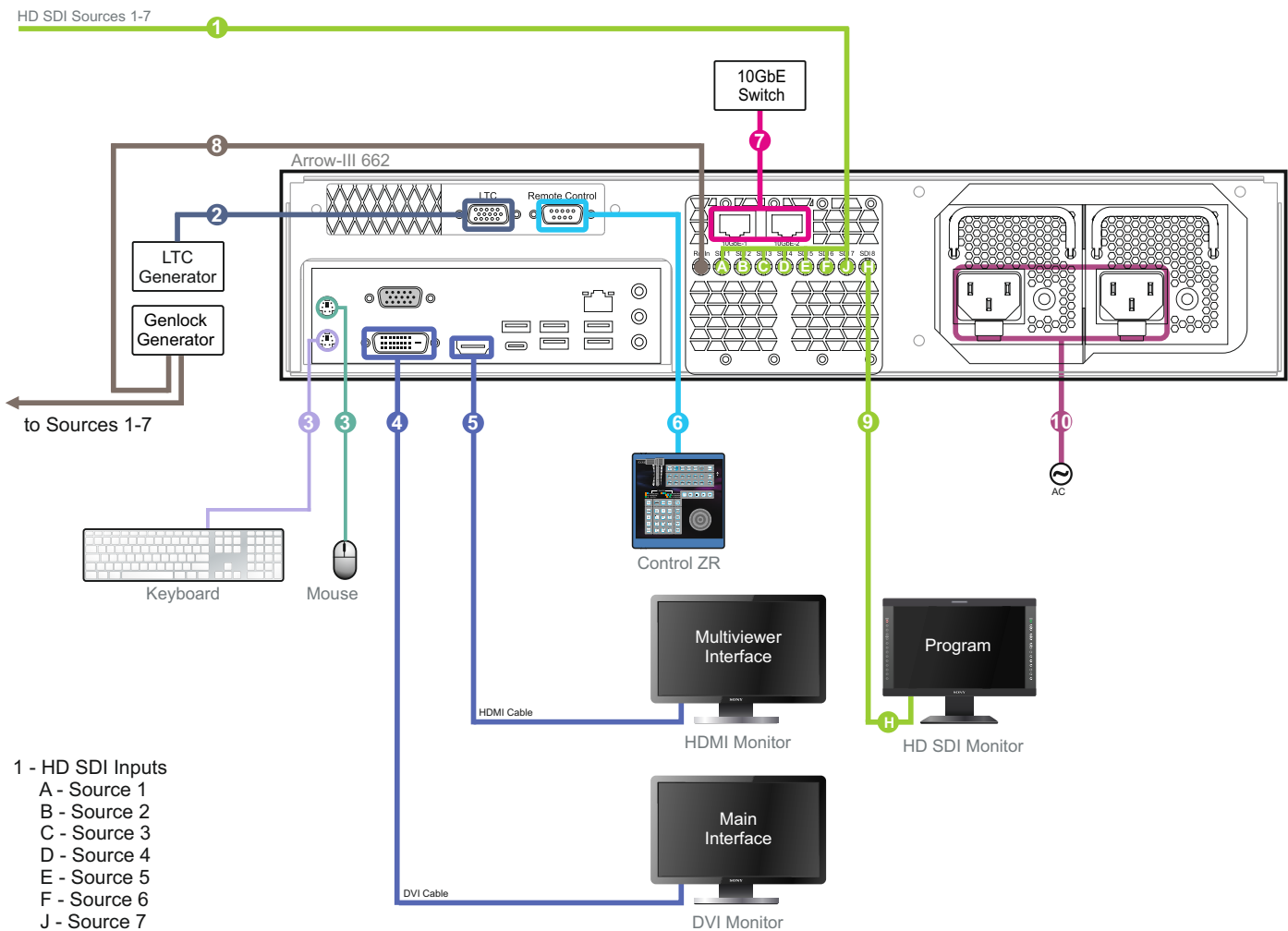
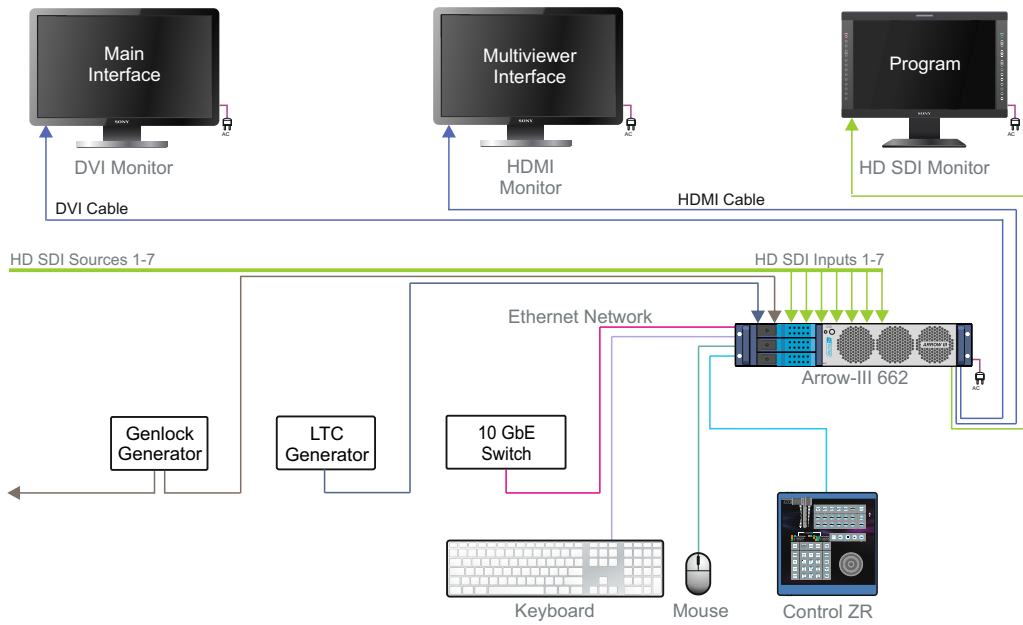


Arrow-III 662. 7-channel Replay configuration

Replay configuration for 7 HD SDI channels. HD SDI Out is used for Program. Graphics Port 1 (DVI) - Main Interface. Graphics Port 2 (HDMI™) - Multiviewer Interface.



- 1 - HD SDI Inputs
 - A - Source 1
 - B - Source 2
 - C - Source 3
 - D - Source 4
 - E - Source 5
 - F - Source 6
 - J - Source 7
- 2 - LTC Input
- 3 - Keyboard and Mouse
- 4 - DVI 1920 x 1080 - Main Interface
- 5 - HDMI 1920 x 1080 Multiviewer Interface
- 6 - Control ZR Remote Control
- 7 - 10 GbE
- 8 - Reference Input
- 9 - HD SDI Output H - Program
- 10 - AC110/220 V 60/50Hz

Use Slomo 900.003.043.10 Cable for BNC Connections 1, 8, 9

Use Slomo 900.020.040.01 Cable for LTC Input Connection