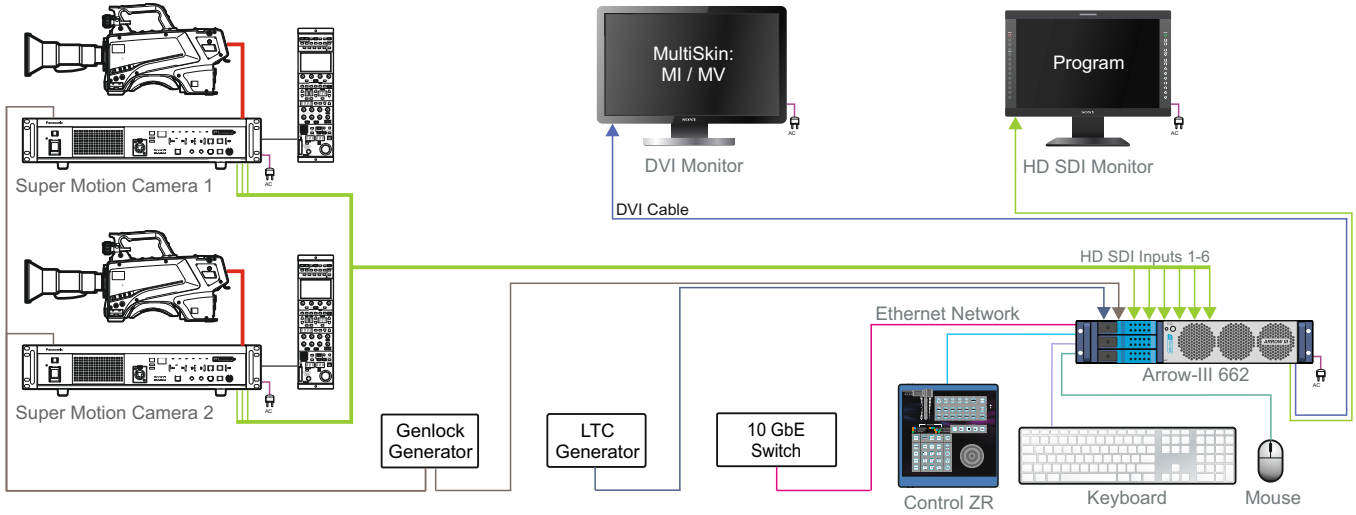


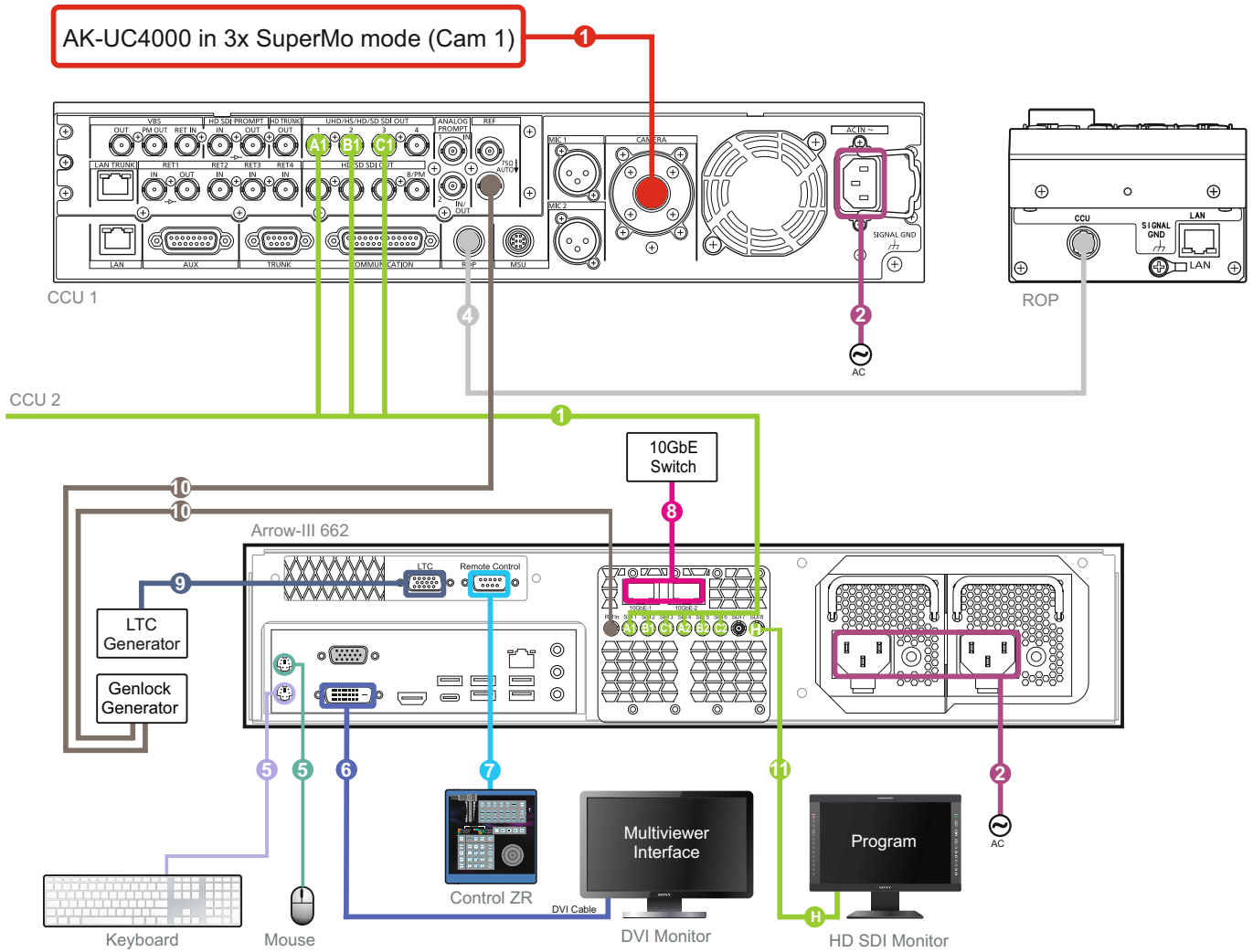
Arrow-III + Two Panasonic AK-UC4000 Cameras 3x 1920x1080i50 Mode

Two 3x Panasonic AK-UC4000 cameras. DCT-based I-frame codec. 6 HD SDI inputs.
PGM Output configured as 60i. Graphics Port - uses MultiSkin for displaying Main Interface (MI) or Multiviewer (MV).



Arrow-III + Two Panasonic AK-UC4000 Cameras 3x 1920x1080i50 Mode

Connection diagram



- 1 - Optical fiber multi cable
- 2 - AC110/220 V 60/50Hz
- 3 - HD SDI Inputs:
 - A1, B1, C1 - AK-UC4000 in 3x SuperMo mode Camera 1
 - A2, B2, C2 - AK-UC4000 in 3x SuperMo mode Camera 2
- 4 - Remote Operation Panel connection
- 5 - Keyboard and Mouse
- 6 - DVI 1920 x 1080 - MultiSkin: Main Interface/ Multiviewer
- 7 - Control ZR
- 8 - 10 GbE
- 9 - LTC Input
- 10 - Reference Input
- 11 - HD SDI Output H - Program

