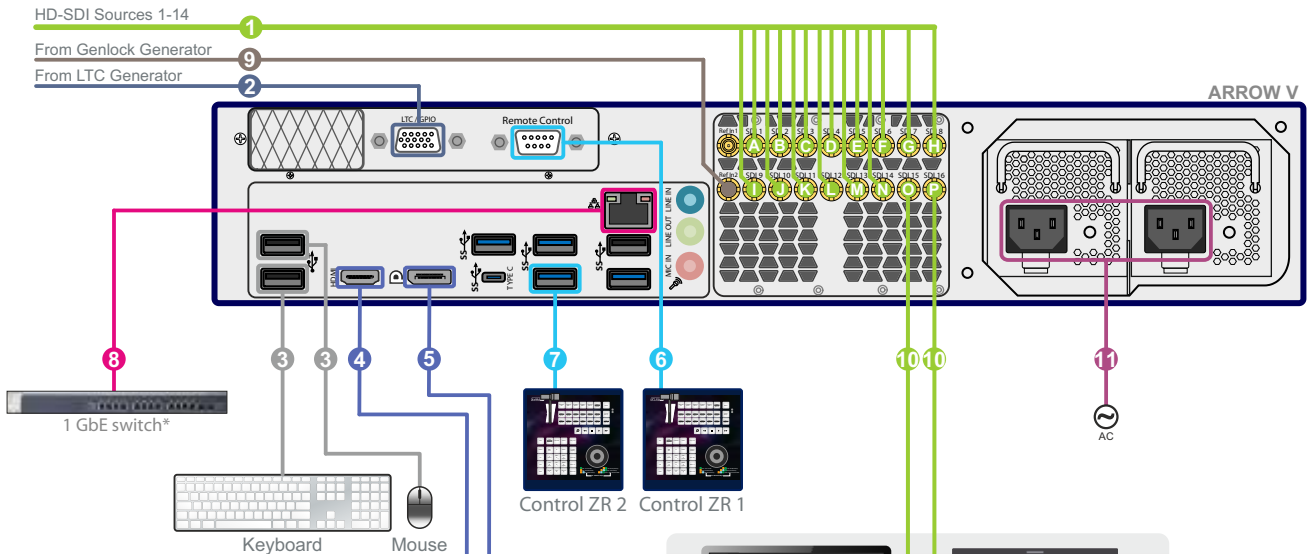
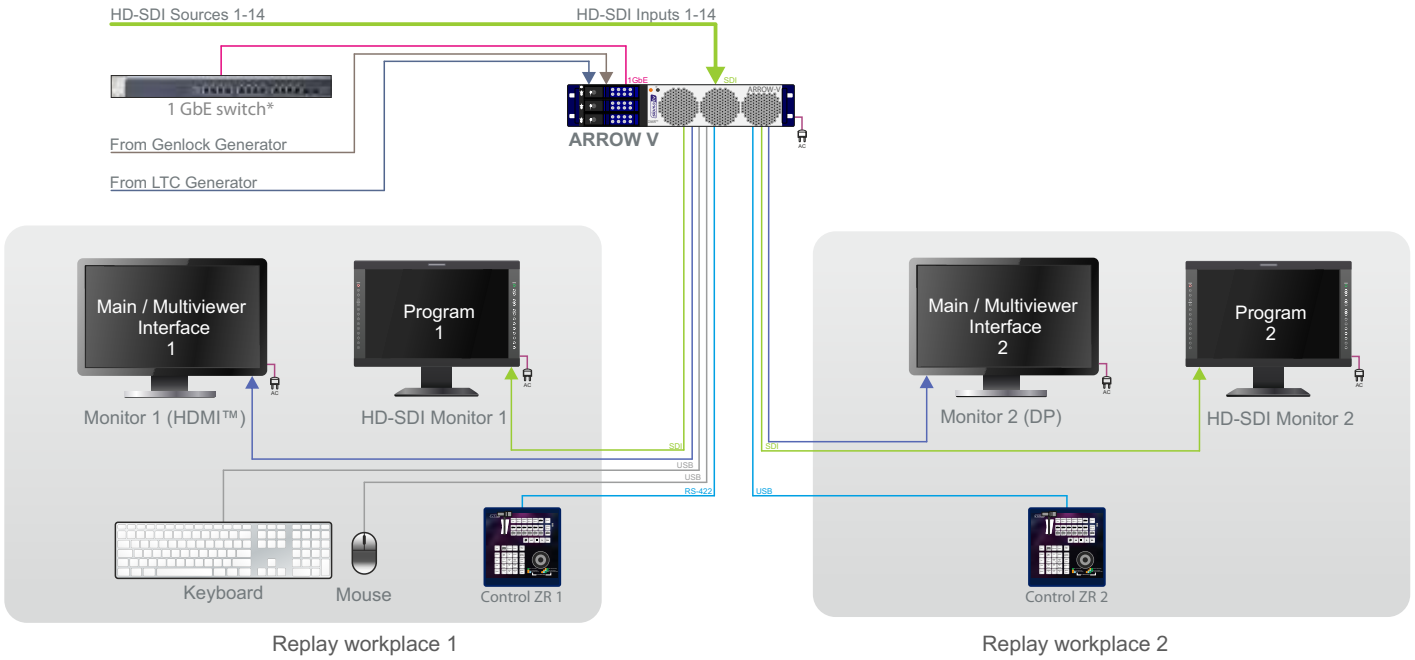


Arrow V

14-channel HD replay configuration. Two Independent 772 Replay Workplaces

14 HD SDI inputs. Each workplace: 7 Record, 7 Search, 2 Playback channels.
Graphics Port 1 (2) – Main Interface and Multiviewer via Multiskin,
SDI Output 1 (2) – Program.
Redundant Power Supply Option.



1 – HD-SDI Inputs:

- A - Source 1
- B - Source 2
- C - Source 3
- D - Source 4
- E - Source 5
- F - Source 6
- G - Source 7
- H - Source 8
- I - Source 9
- J - Source 10
- K - Source 11
- L - Source 12
- M - Source 13
- N - Source 14

2 – LTC Input

3 – Keyboard and Mouse

4 – Main/Multiviewer Interface 1 (HDMI™ 1920 x 1080)

5 – Main/Multiviewer Interface 2 (DP 1920 x 1080)

6 – Remote control 1 - Control ZR

7 – Remote control 2 - Control ZR

8 – 1 GbE

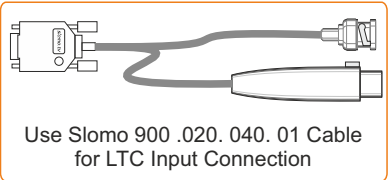
9 – Reference Input

10 – HD-SDI Outputs:

O - Program 1

P - Program 2

11** – AC 110/220V 60/50Hz



* – not included

** – redundant power supply option