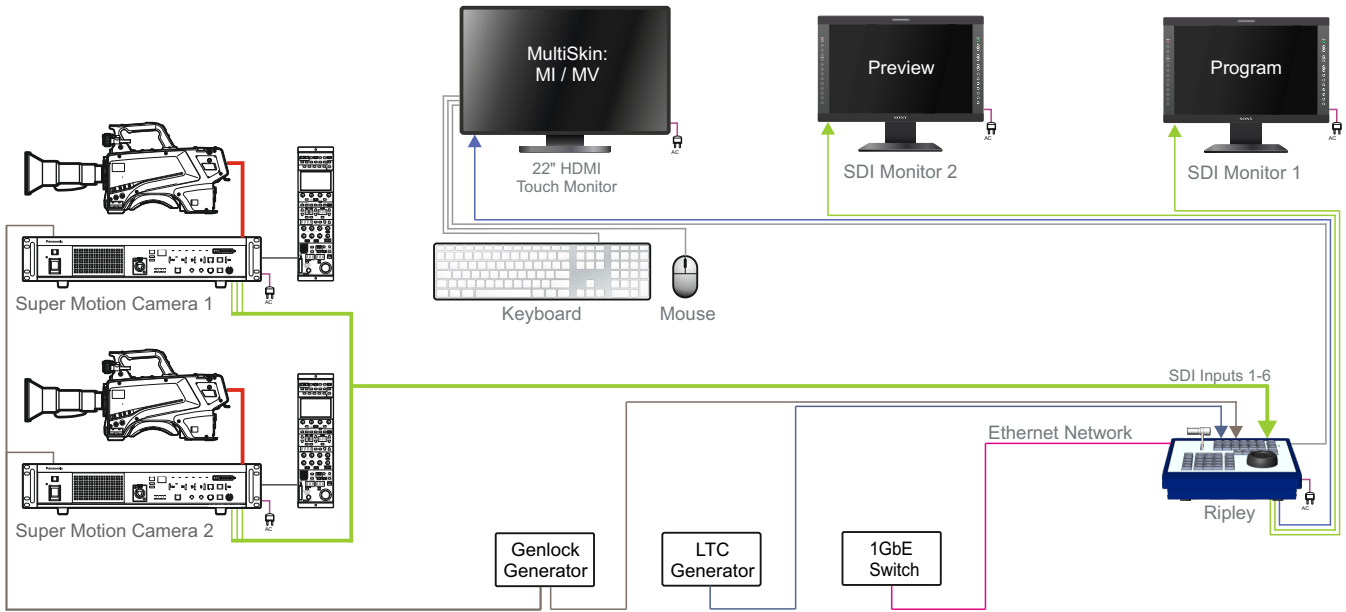


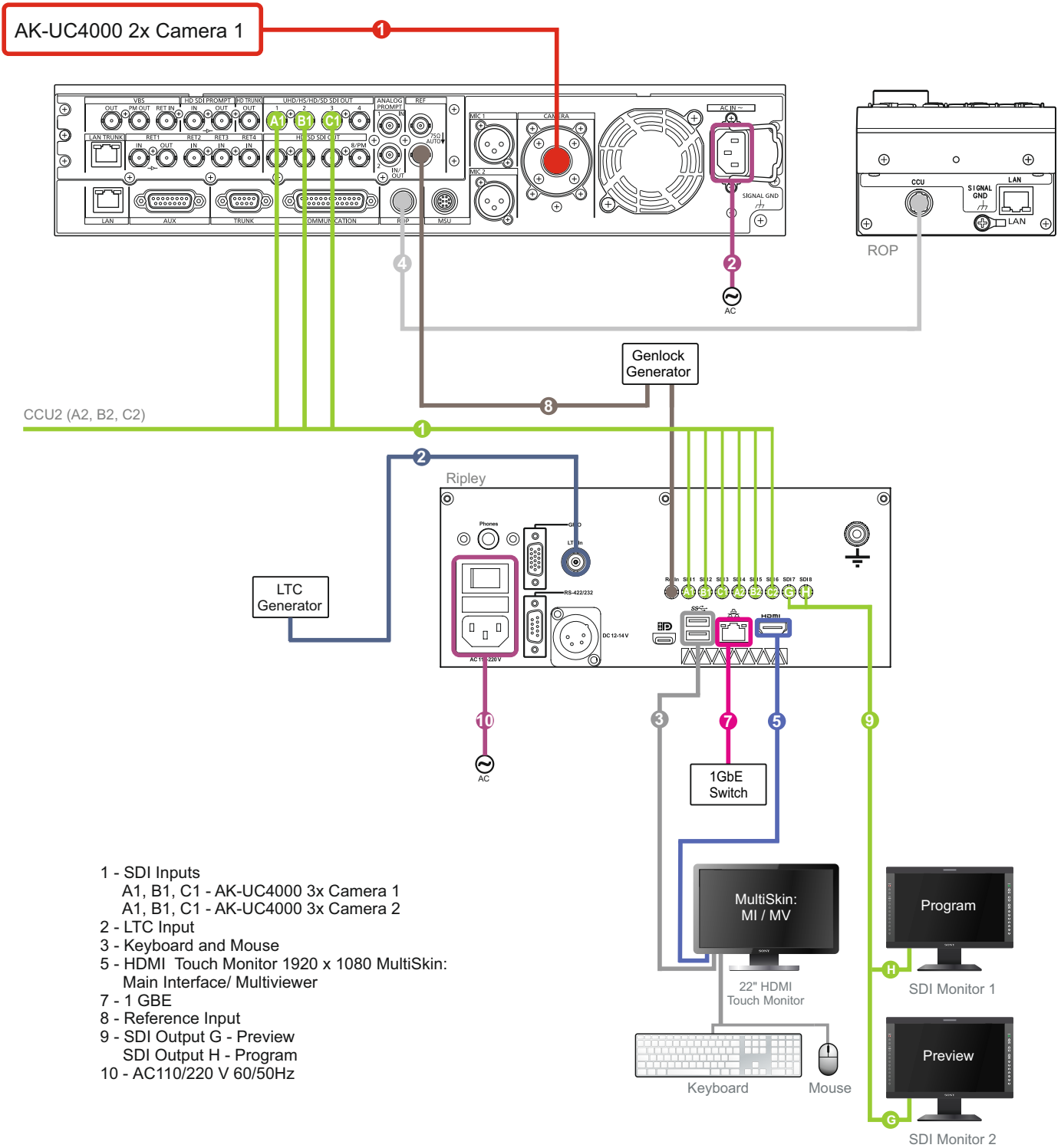
Ripley 662 + Two Panasonic AK-UL4000 Cameras 3x Mode

Replay configuration for Two Panasonic AK-UL4000 cameras. i-frame DCT codec.
6 input channels. SDI output G is used for Preview (PVW).
Graphics Port (Touch Screen) - uses MultiSkin for displaying Main Interface (MI) or Multiviewer (MV).



Ripley 662 + Two Panasonic AK-UL4000 Cameras 3x Mode

Connection diagram



- 1 - SDI Inputs
A1, B1, C1 - AK-UC4000 3x Camera 1
A1, B1, C1 - AK-UC4000 3x Camera 2
- 2 - LTC Input
- 3 - Keyboard and Mouse
- 5 - HDMI Touch Monitor 1920 x 1080 MultiSkin:
Main Interface/ Multiviewer
- 7 - 1 GBE
- 8 - Reference Input
- 9 - SDI Output G - Preview
SDI Output H - Program
- 10 - AC110/220 V 60/50Hz

Use Slomo 900.003.043.10 Cable for BNC Connections 1, 8, 9

Use Slomo 900.020.040.01 Cable for LTC Input Connection