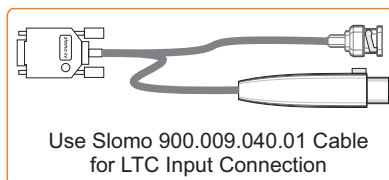
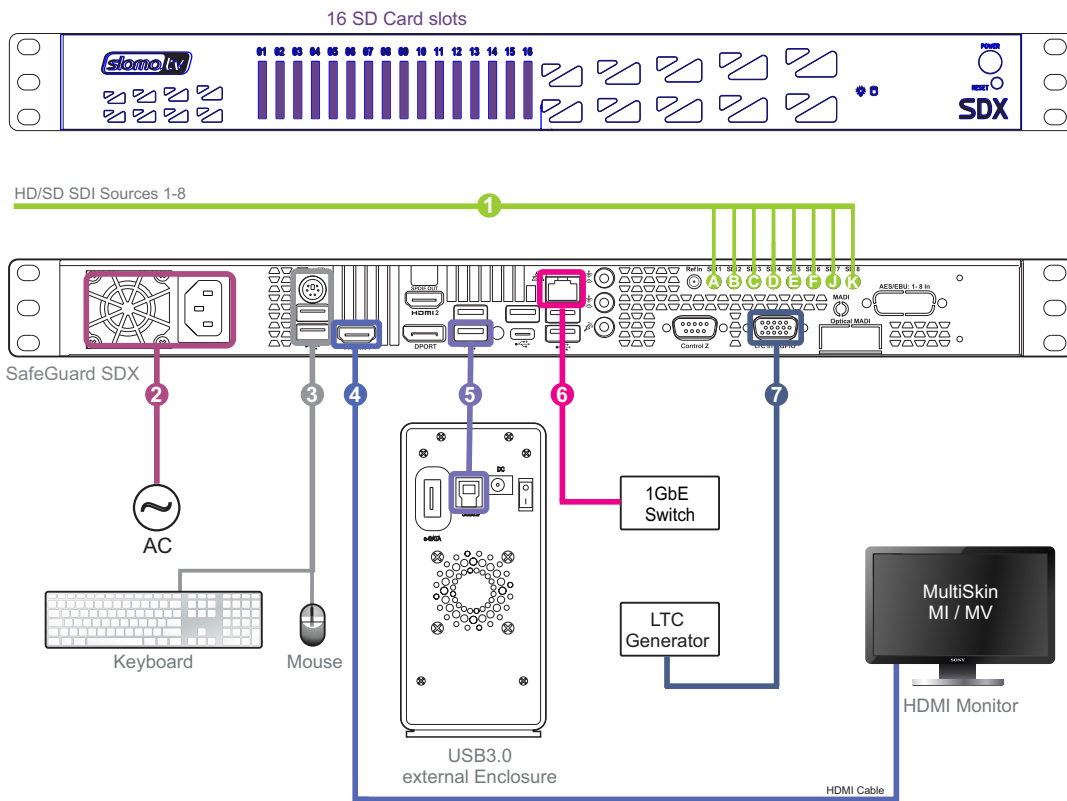
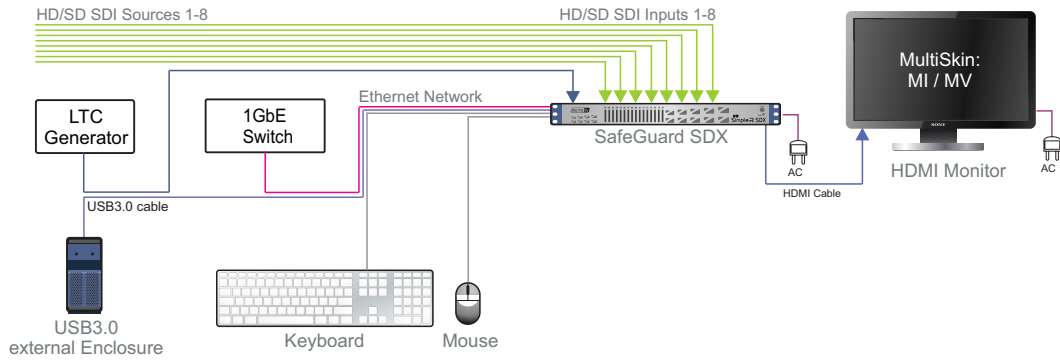


## SafeGuard SDX

8-channel recording for backup and NLE on SD Cards with ability of export from built In SSD. H264 or XDCAM35 Codecs. Graphics Port - uses MultiSkin for displaying Main Interface (MI) or Multiviewer (MV).



1 - SDI Inputs 1 - 8

- A - Source 1
  - B - Source 2
  - C - Source 3
  - D - Source 4
  - E - Source 5
  - F - Source 6
  - J - Source 7
  - K - Source 8
- 2 - AC110/220 V 60/50Hz
- 3 - Keyboard and Mouse
- 4 - HDMI 1920 x 1080 - MultiSkin: Main Interface / Multiviewer
- 5 - USB3.0 Line to export
- 6 - 1 GBE
- 7 - LTC