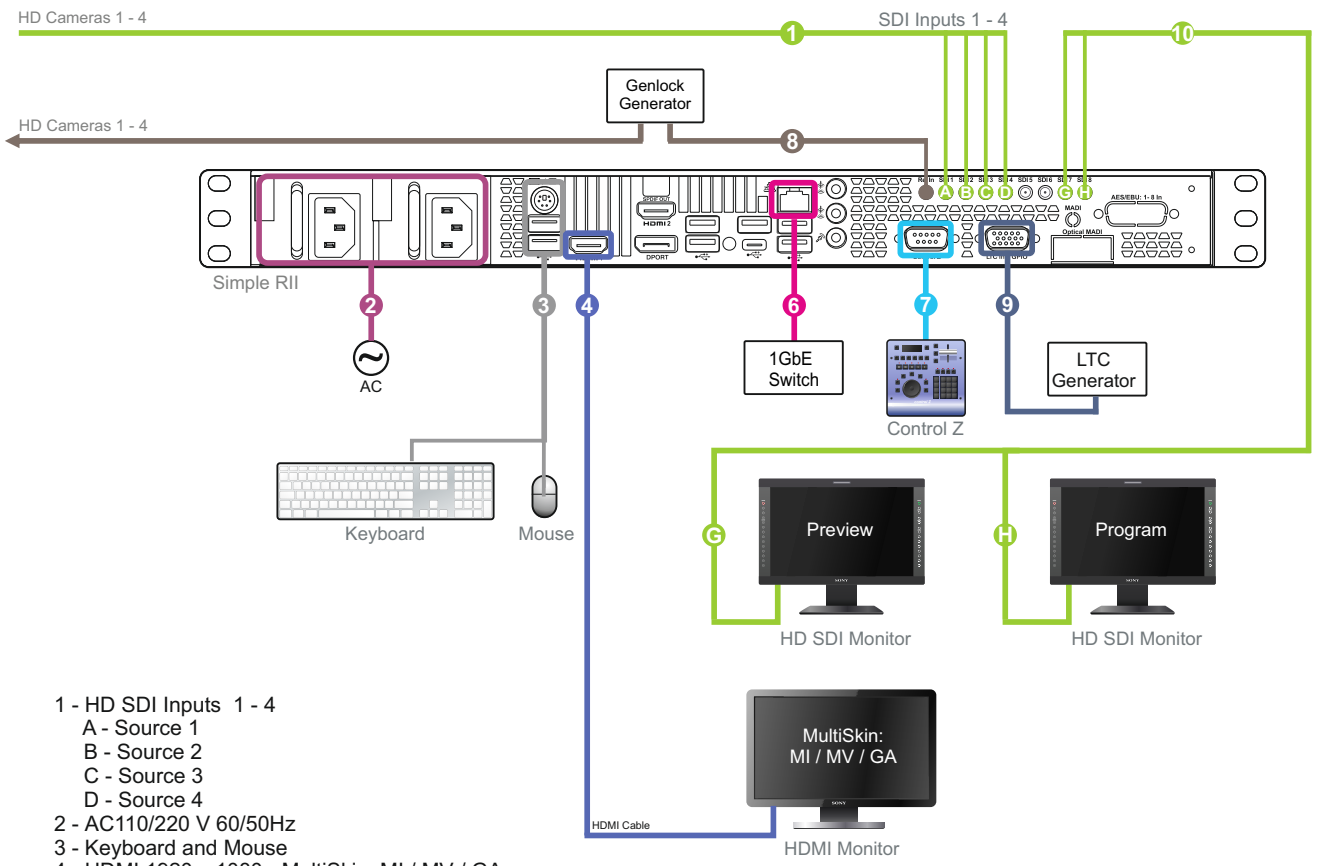
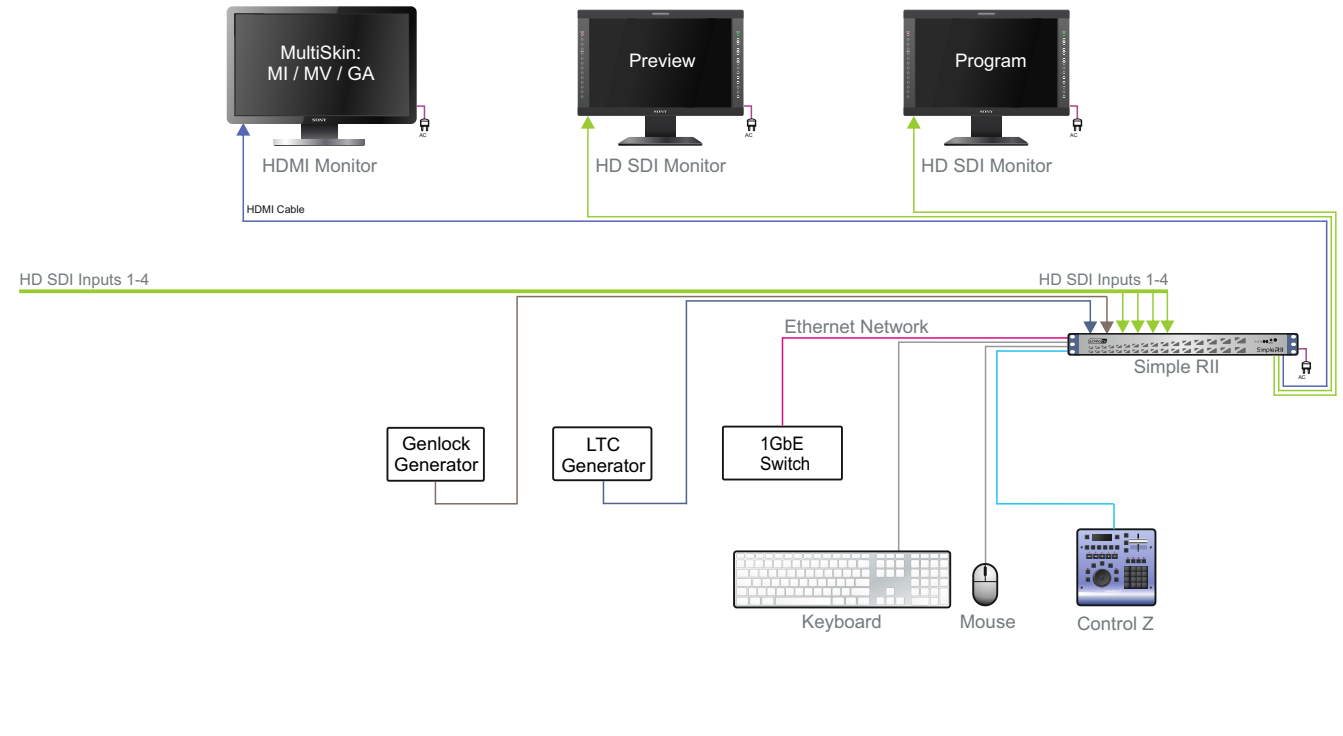


Simple RII 442. 4-channel HD Replay configuration with MI/MV/GA on Graphics Port and PVW on second SDI Output

4 HD SDI inputs. DVCPRO HD / DCT-based I-frame codec.
 Graphics Port 1 uses MultiSkin for displaying Main Interface (MI), Multiviewer (MV) or Game Analyzer (GA) interface.
 SDI Output 1 - Preview (PVW). SDI Output 2 - Program (PGM). Redundant Power Supply option



- 1 - HD SDI Inputs 1 - 4
 - A - Source 1
 - B - Source 2
 - C - Source 3
 - D - Source 4
- 2 - AC110/220 V 60/50Hz
- 3 - Keyboard and Mouse
- 4 - HDMI 1920 x 1080 - MultiSkin: MI / MV / GA
- 6 - 1GbE
- 7 - Control Z Remote Control
- 8 - Reference Input
- 9 - LTC Input
- 10 - SDI Output G - Preview
SDI Output H - Program

Use Slomo 900.020.040.10 Cable for BNC Connections 1, 8, 10

Use Slomo 900.020.040.01 Cable for LTC Input Connection