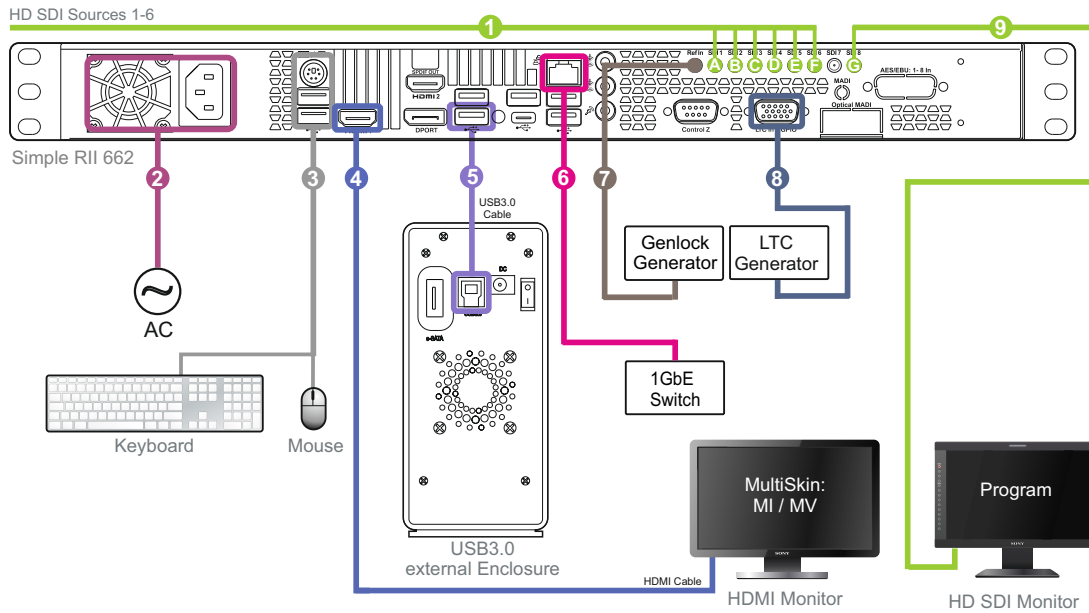
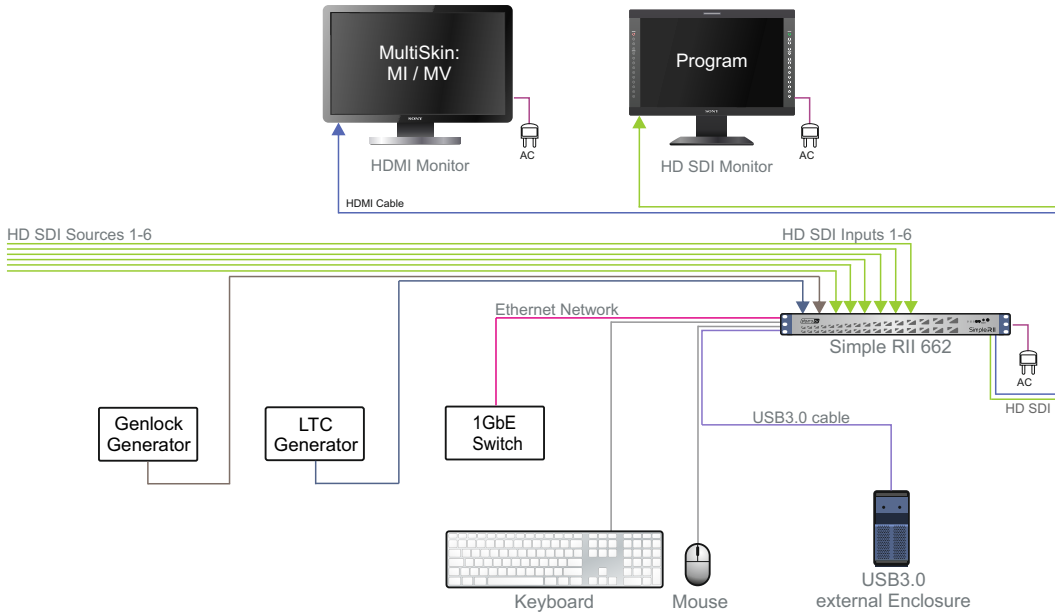


Simple RII 662. 6-channel HD Recording for NLE configuration with MultiSkin (MI/MV) on Graphics Port 1

6-channel Recording for NLE. 6 HD SDI inputs.

Graphics Port 1 - uses MultiSkin for displaying Main Interface (MI) or Multiviewer (MV). SDI Output - Program (PGM)



- 1 - HD SDI Inputs 1 - 6
 - A - Source 1
 - B - Source 2
 - C - Source 3
 - D - Source 4
 - E - Source 5
 - F - Source 6
- 2 - AC110/220 V 60/50Hz
- 3 - Keyboard and Mouse
- 4 - HDMI 1920 x 1080 - MultiSkin: MI / MV
- 5 - USB 3.0 External Enclosure
- 6 - 1 GBE
- 7 - Reference Input
- 8 - LTC Input
- 9 - HD SDI Output- Program

