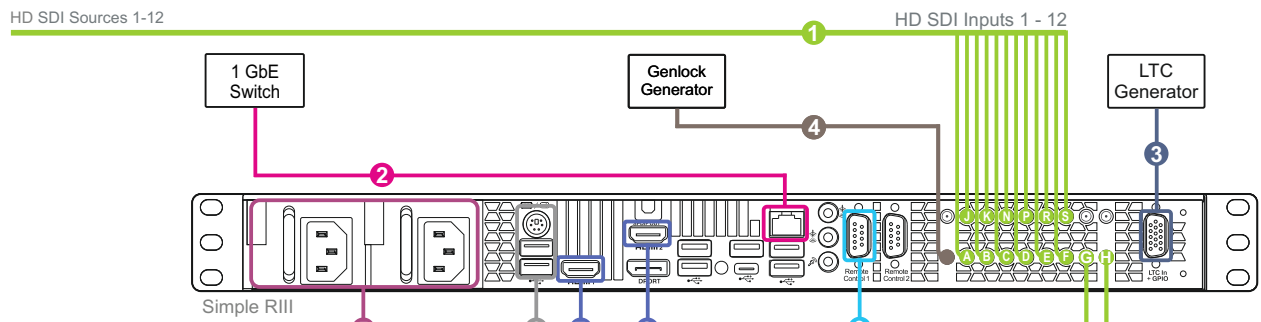
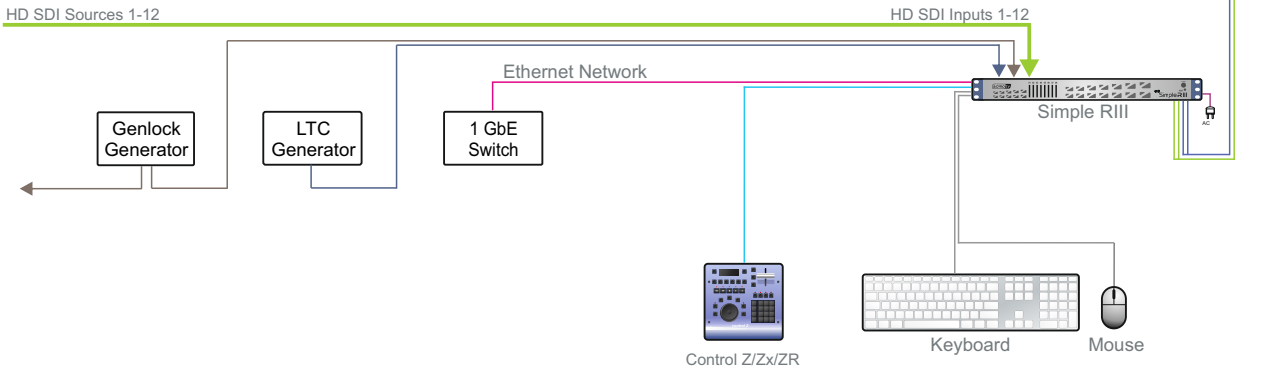
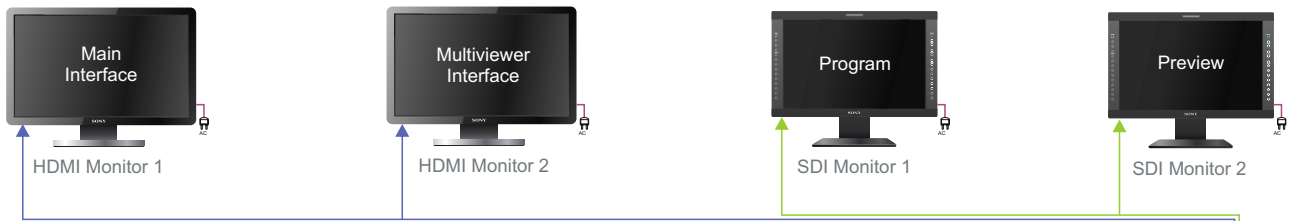


Simple RIII. 12-channel HD SDI Replay configuration with Program and Preview

12 12 2 2 Replay configuration. Channels: 12 Record; 12 Search; 2 Playback.

12 HD SDI Inputs. 1st Output – Program, 2nd Output – Preview.

Graphics Port 1 – Main Interface, Graphics Port 2 – Multiviewer Interface. With Redundant Power Supply Option.



- 1 - HD SDI Inputs 1 - 12
- A - Source 1
- B - Source 2
- C - Source 3
- D - Source 4
- E - Source 5
- F - Source 6
- J - Source 7
- K - Source 8
- N - Source 9
- P - Source 10
- R - Source 11
- S - Source 12
- 2 - 1 GbE
- 3 - LTC Input
- 4 - Reference Input
- 5 - AC110/220 V 60/50Hz
- 6 - Keyboard and Mouse
- 7 - HDMI 1920 x 1080 - Main Interface
- 8 - HDMI 1920 x 1080 Multiviewer Interface
- 9 - Control Z/Zx/ZR Remote Control
- 10 - SDI Outputs:
- G - Preview
- H - Program

Use Slomo 900.003.040.10 Cable for BNC Connections 1, 4, 10

Use Slomo 900.020.040.01 Cable for LTC Input Connection