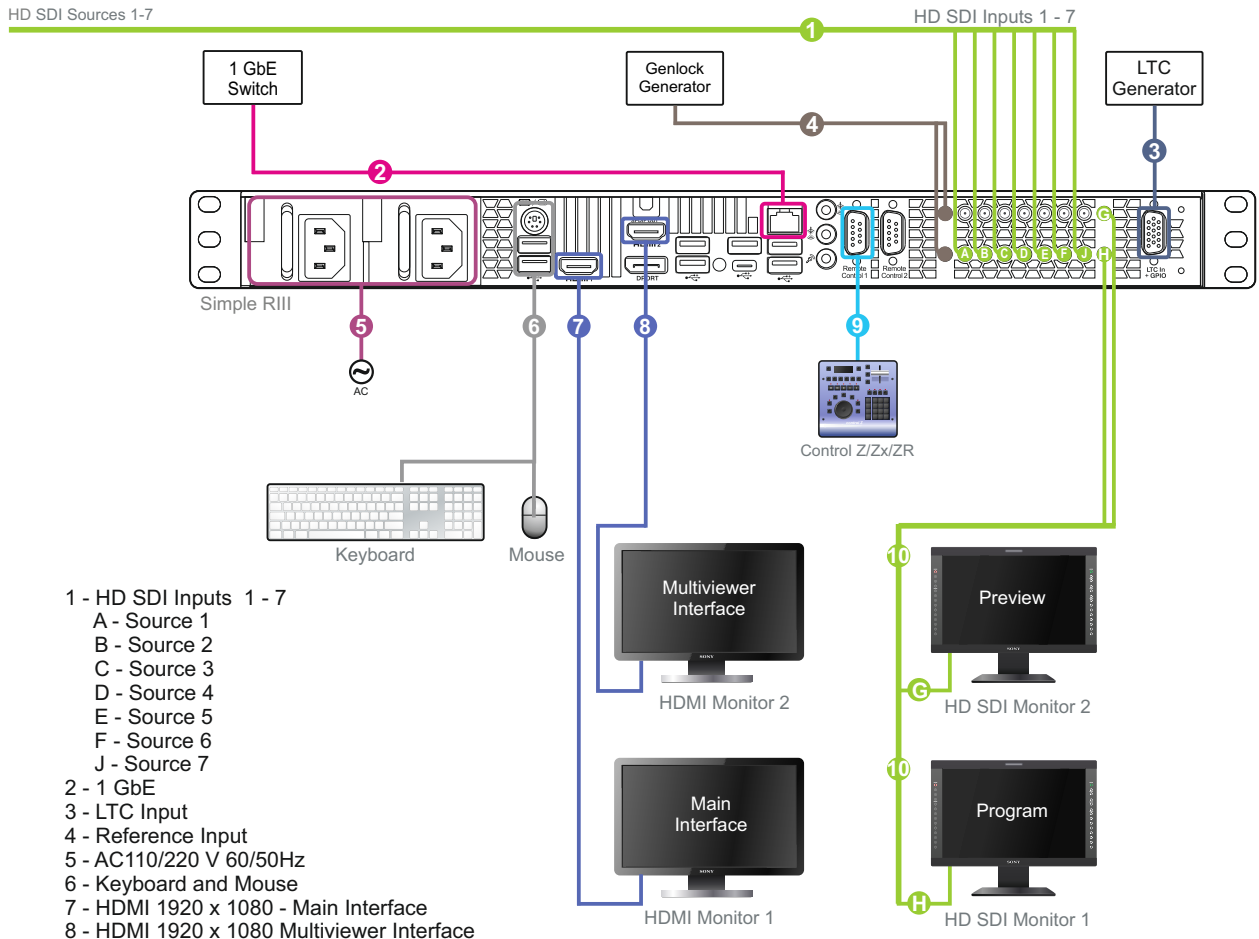
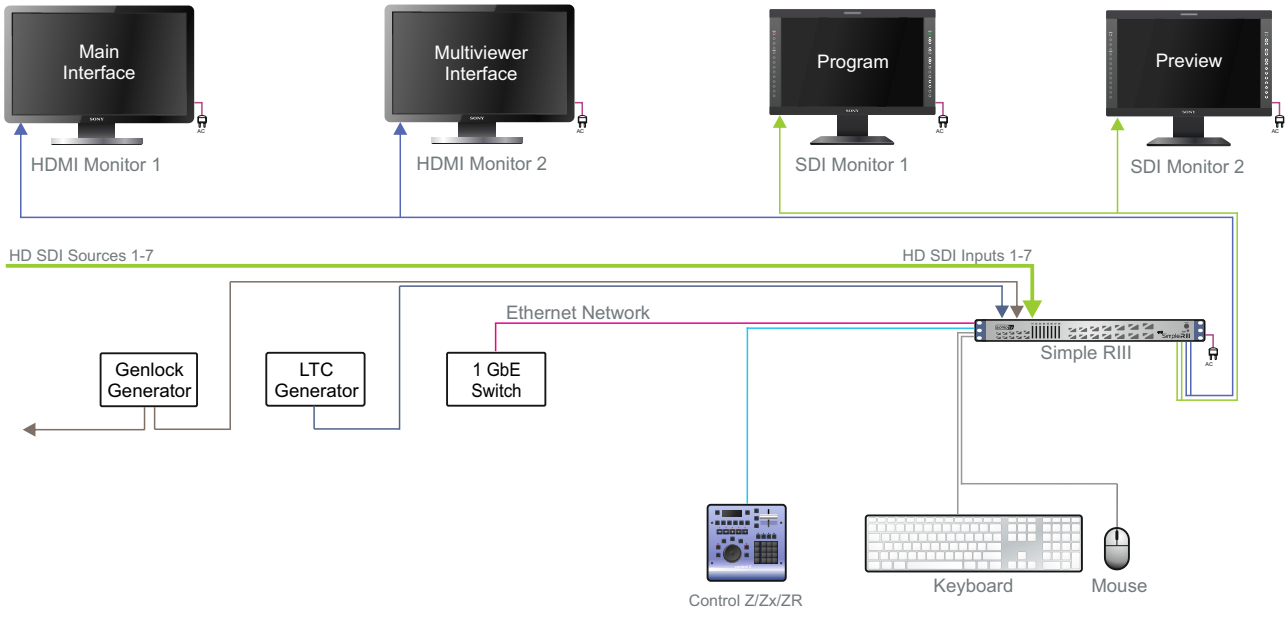


Simple RIII. 7-channel HD SDI Replay configuration with Program and Preview

7 7 2 Replay configuration. Channels: 7 Record; 7 Search; 2 Playback.
7 HD SDI Inputs. 1st Output – Program, 2nd Output – Preview.

Graphics Port 1 – Main Interface, Graphics Port 2 – Multiviewer Interface. With Redundant Power Supply Option.



- 1 - HD SDI Inputs 1 - 7
 - A - Source 1
 - B - Source 2
 - C - Source 3
 - D - Source 4
 - E - Source 5
 - F - Source 6
 - J - Source 7
- 2 - 1 GbE
- 3 - LTC Input
- 4 - Reference Input
- 5 - AC110/220 V 60/50Hz
- 6 - Keyboard and Mouse
- 7 - HDMI 1920 x 1080 - Main Interface
- 8 - HDMI 1920 x 1080 Multiviewer Interface
- 9 - Control Z/Zx/ZR Remote Control
- 10 - SDI Outputs:
 - G - Preview
 - H - Program

