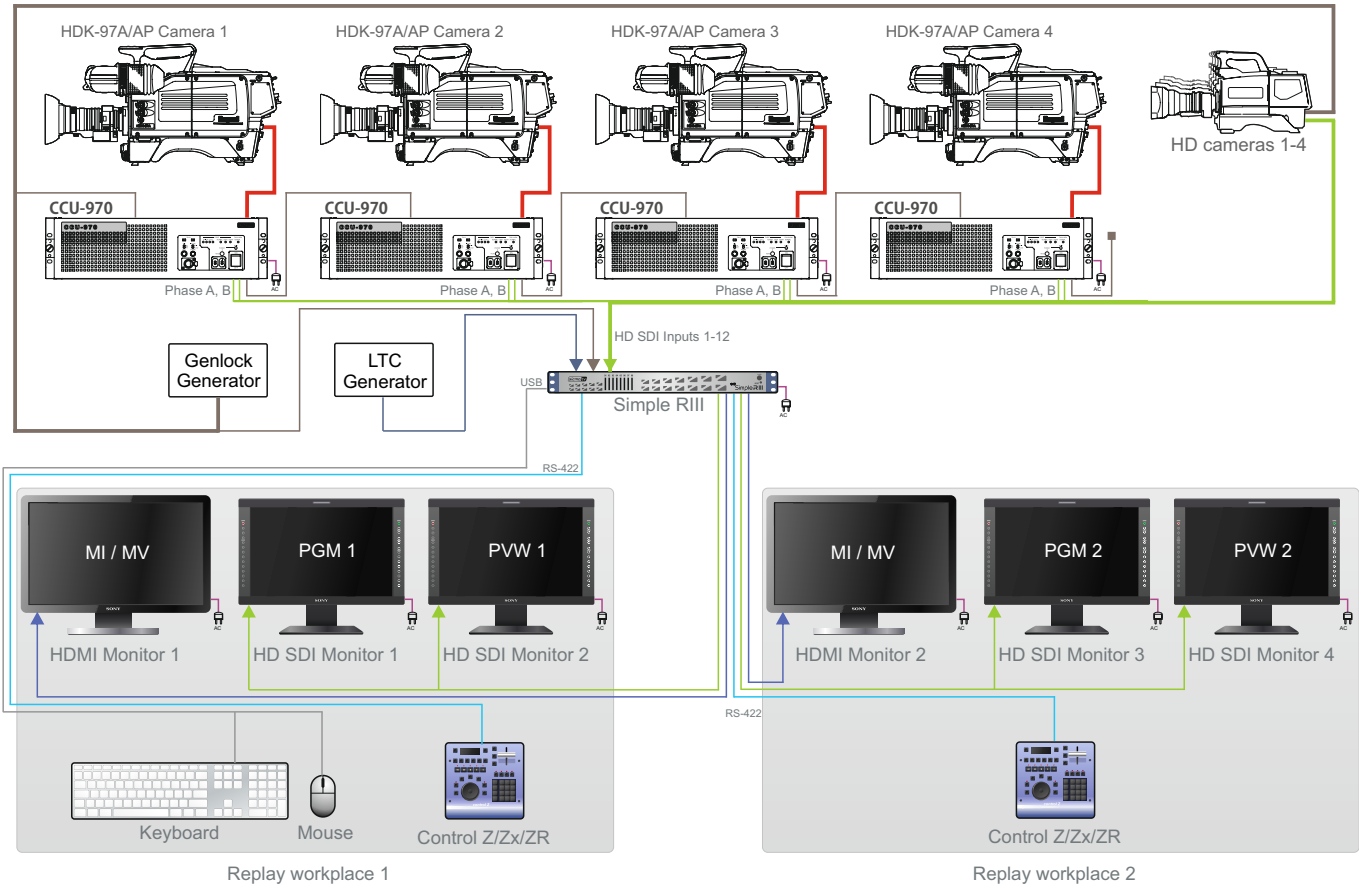


Simple RIII. Two replay workplaces with four 2x SuperMo cameras Ikegami HDK-97A (WP 1) and 4 HD cameras (WP 2)

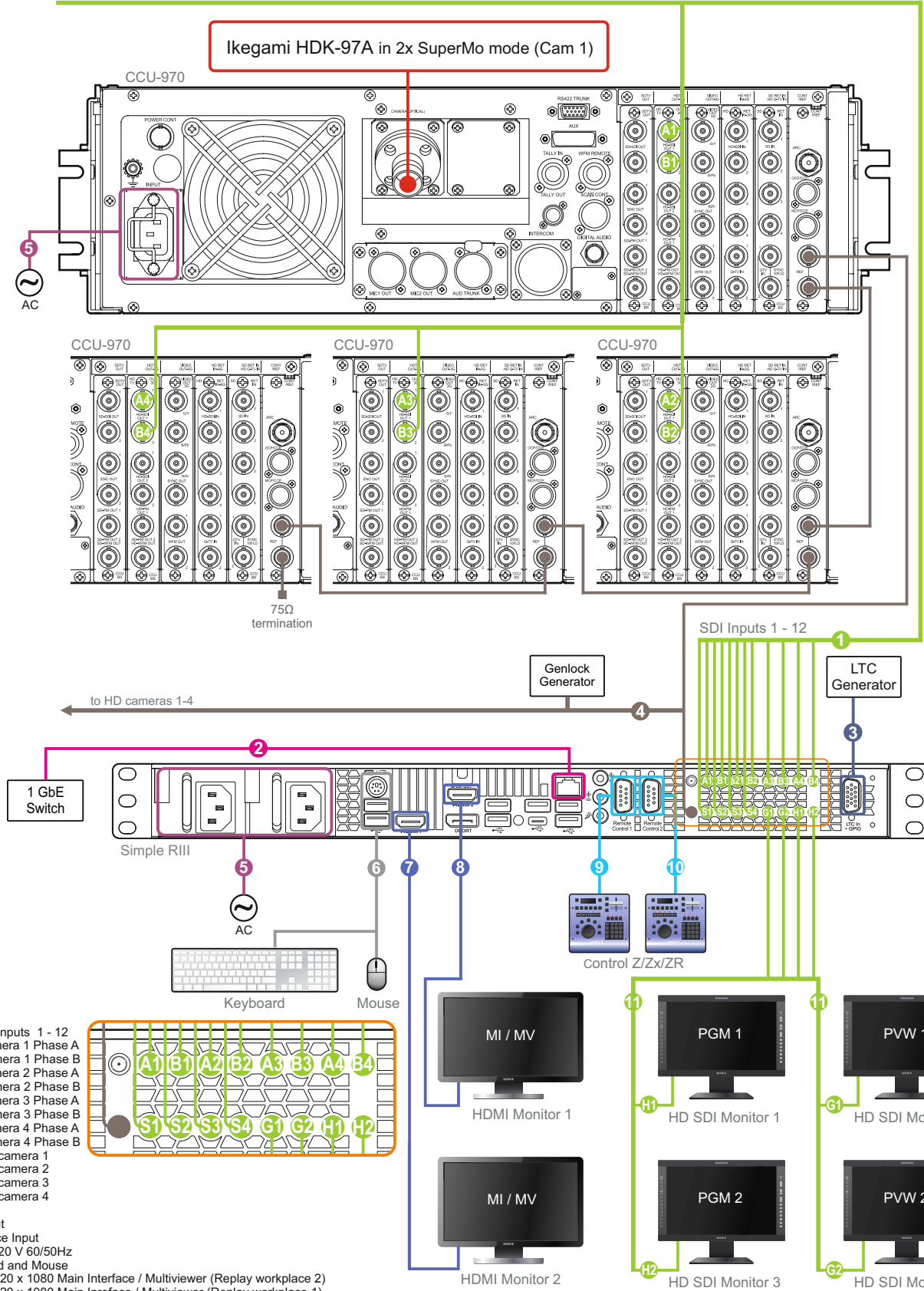
Replay configuration with two independent workplaces. First WP - Four Super Motion cameras in 2x mode, Second WP - 4 HD cameras (442). SDI Output 1 (3) is used for Program1 (2). SDI Output 2 (4) is used for Preview 1 (2). Graphics Port 1 (2) - uses MultiSkin for displaying Main Interface (MI) or Multiviewer (MV). With Redundant Power Supply Option.



Simple RIII. Two replay workplaces with four 2x SuperMo cameras Ikegami HDK-97A (WP 1) and 4 HD cameras (WP 2)

Connection diagram

HD cameras 1-4



- 1 - HD SDI Inputs 1 - 12
- A1 - Camera 1 Phase A
- B1 - Camera 1 Phase B
- A2 - Camera 2 Phase A
- B2 - Camera 2 Phase B
- A3 - Camera 3 Phase A
- B3 - Camera 3 Phase B
- A4 - Camera 4 Phase A
- B4 - Camera 4 Phase B
- S1 - HD camera 1
- S2 - HD camera 2
- S3 - HD camera 3
- S4 - HD camera 4
- 2 - 1 GbE
- 3 - LTC Input
- 4 - Reference Input
- 5 - AC110/220 V 60/50Hz
- 6 - Keyboard and Mouse
- 7 - HDMI 1920 x 1080 Main Interface / Multiviewer (Replay workplace 2)
- 8 - HDMI 1920 x 1080 Main Interface / Multiviewer (Replay workplace 1)
- 9 - Control Z/Zx/ZR Remote Control (Replay workplace 1)
- 10 - Control Z/Zx/ZR Remote Control (Replay workplace 2)
- 11 - HD SDI Outputs
- H1 - PGM 1
- G1 - PVW 1
- H2 - PGM 2
- G2 - PVW 2

Use Slomo 900.003.040.10 Cable for BNC Connections 1, 11

Use Slomo 900.020.040.01 Cable for LTC Input Connection