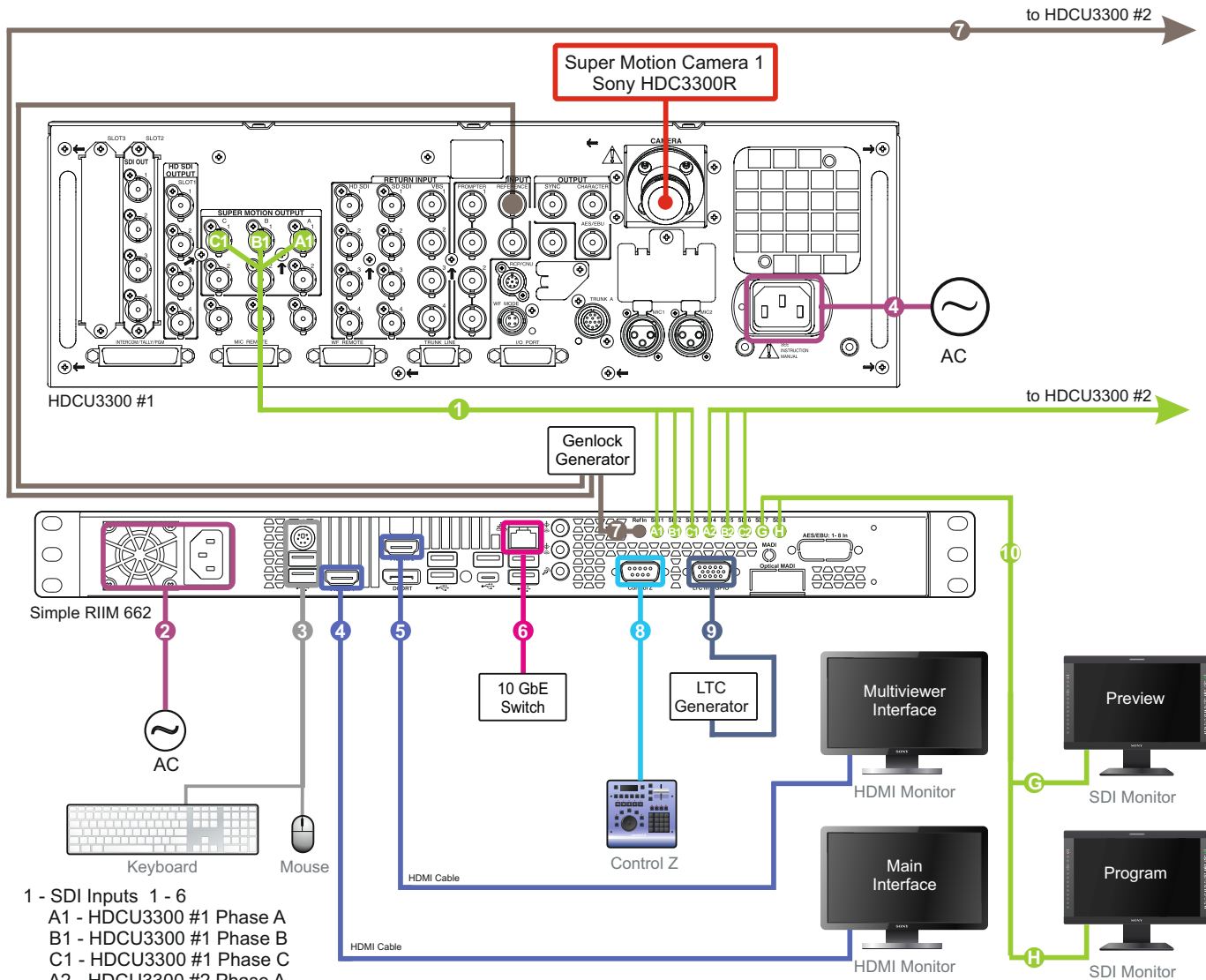
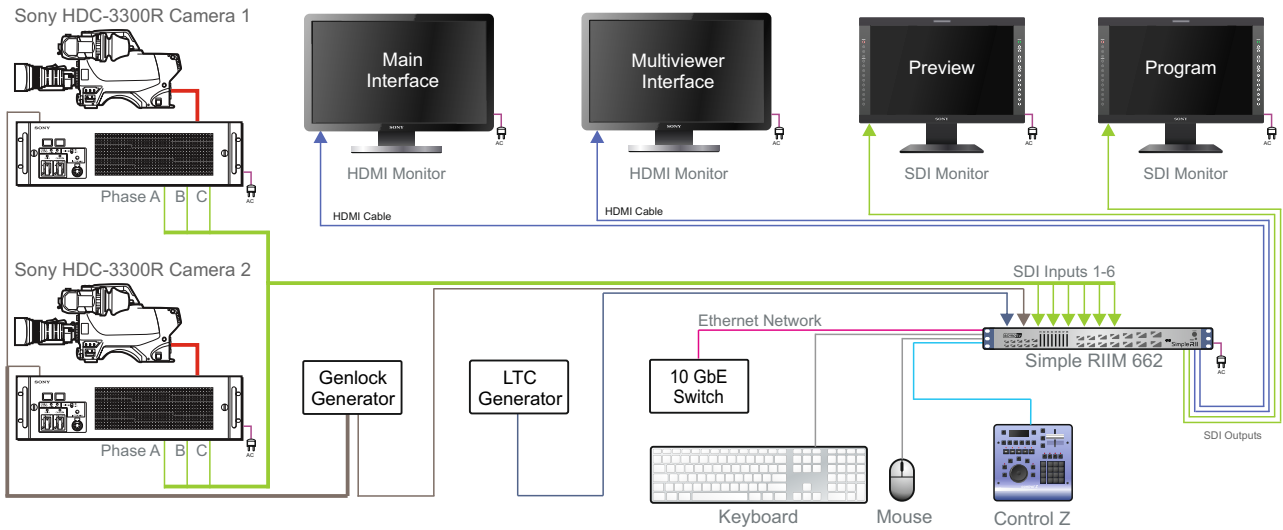


# Simple RIIM 662 + Two 3x SuperMo cameras Sony HDC-3300R

Replay configuration for Two 3x SuperMotion cameras SONY HDC-3300R. Each camera has 3 SDI inputs: Phase A, Phase B, Phase C. SDI output G is used for Preview. Graphics Port 1 - Main Interface. Graphics Port 2 - Multiviewer.



- 1 - SDI Inputs 1 - 6
  - A1 - HDCU3300 #1 Phase A
  - B1 - HDCU3300 #1 Phase B
  - C1 - HDCU3300 #1 Phase C
  - A2 - HDCU3300 #2 Phase A
  - B2 - HDCU3300 #2 Phase B
  - C2 - HDCU3300 #2 Phase C
- 2 - AC110/220 V 60/50Hz
- 3 - Keyboard and Mouse
- 4 - HDMI 1920 x 1080 - Main Interface
- 5 - HDMI 1920 x 1080 Multiviewer Interface
- 6 - 10 GBE
- 7 - Reference Input
- 8 - Control Z Remote Control
- 9 - LTC Input
- 10 - SDI Outputs:
  - H - Program
  - G - Preview

