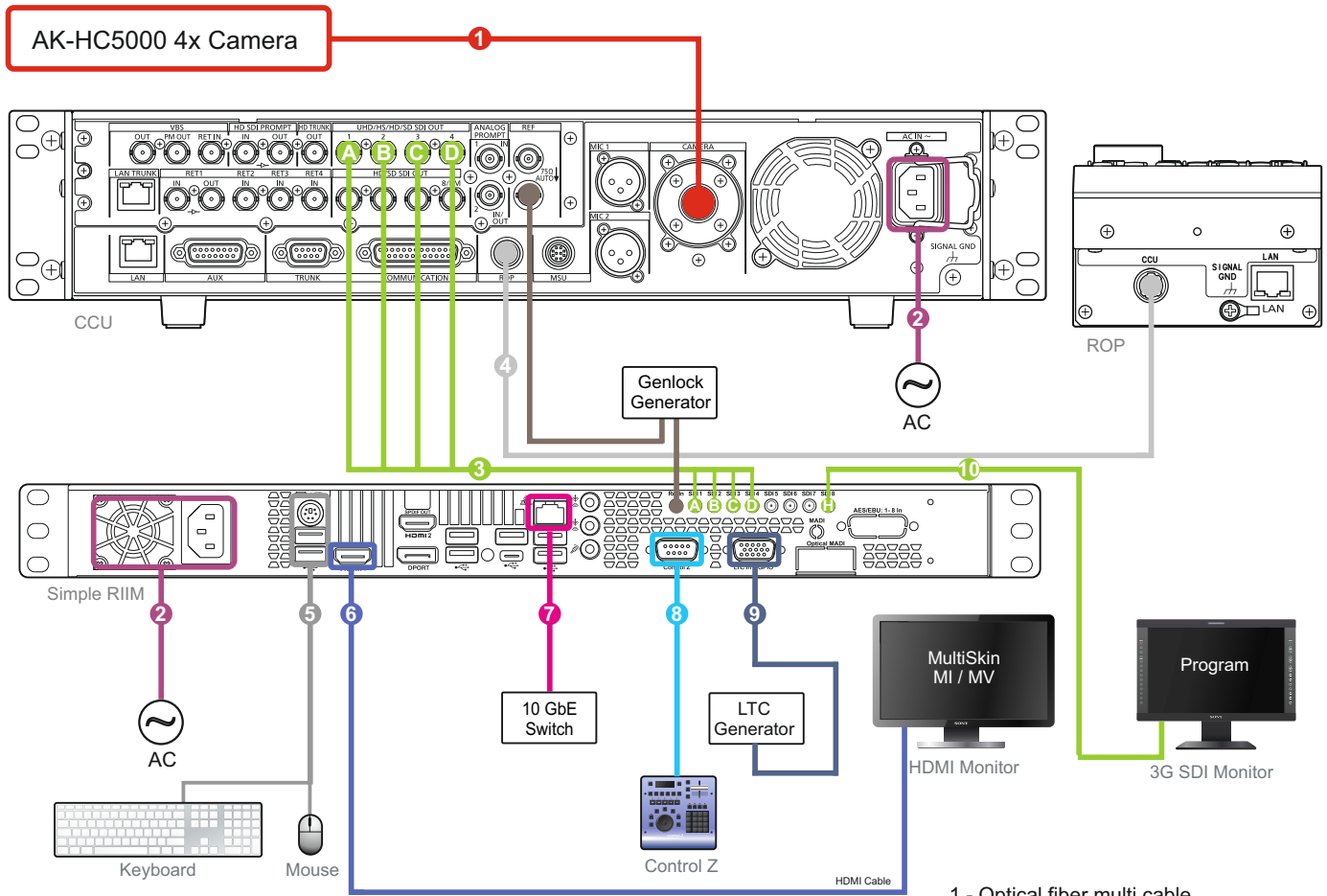
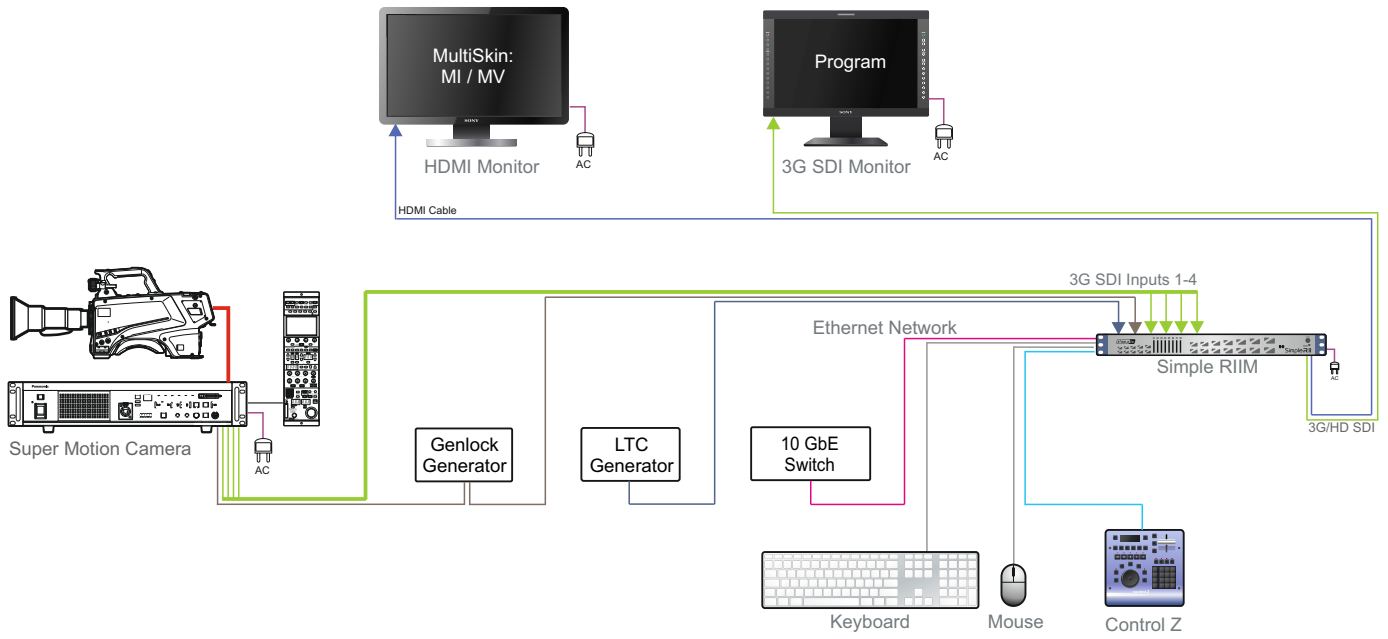


Simple R IIM. SuperMo Replay configuration with Panasonic AK-HC5000 (200/240 fps mode)

Panasonic AK-HC5000 camera. DCT-based I-frame codec. 4 3G SDI inputs.
 PGM Output can be configured as 60i/60p. Graphics Port - uses MultiSkin for displaying Main Interface (MI) or Multiviewer (MV).



Use Slomo 900.020.040.01 Cable for LTC Input Connection

Use Slomo 900.003.043.10 Cable for BNC Connections 3, 10

- 1 - Optical fiber multi cable
- 2 - AC110/220 V 60/50Hz
- 3 - 3G/HD SDI Inputs 1 - 4
- 4 - Remote Operation Panel connection
- 5 - Keyboard and Mouse
- 6 - HDMI 1920 x 1080 - MultiSkin: Main Interface / Multiviewer
- 7 - 10 GBE
- 8 - Control Z Remote Control
- 9 - LTC Input
- 10 - 3G/HD SDI Output - Program