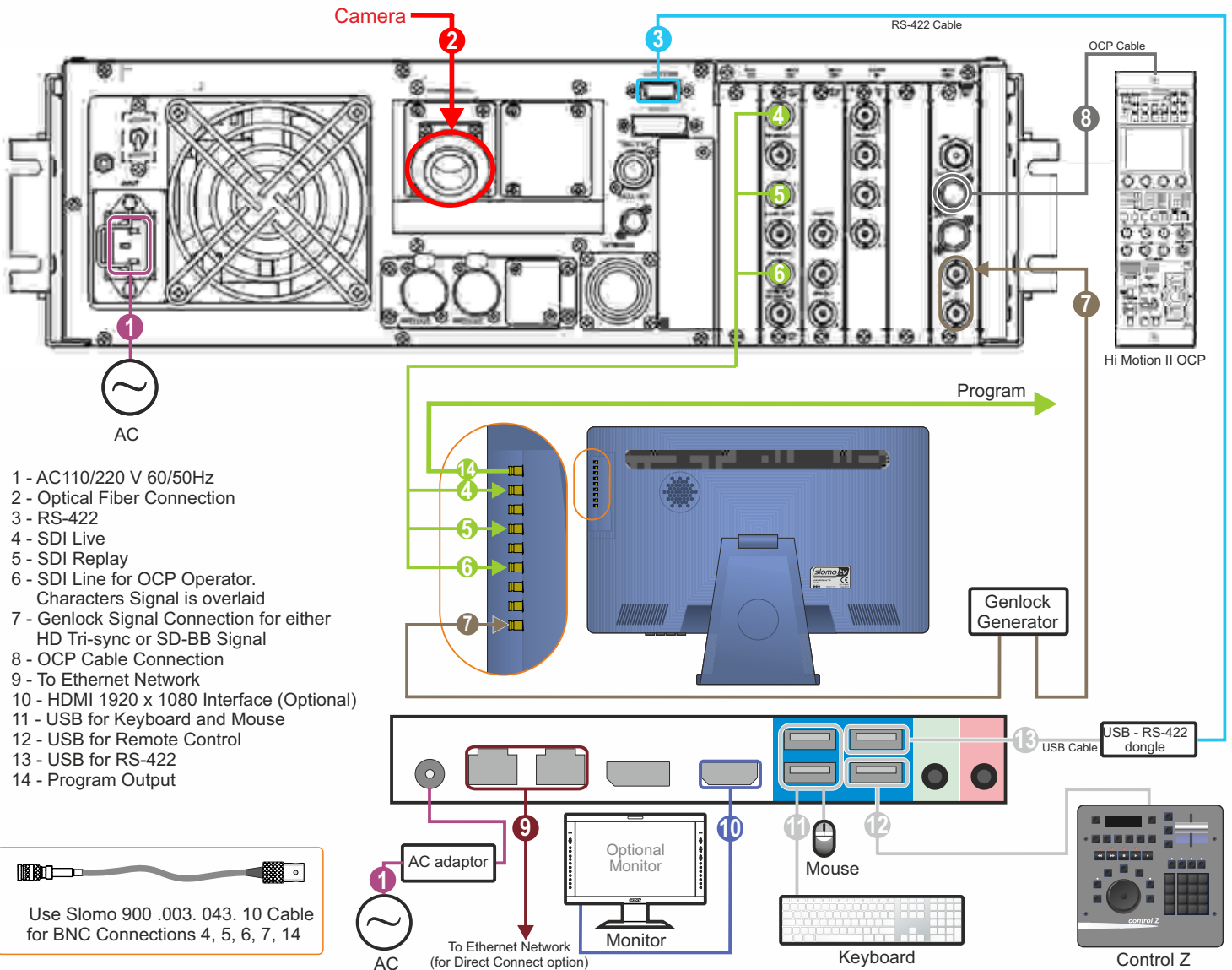
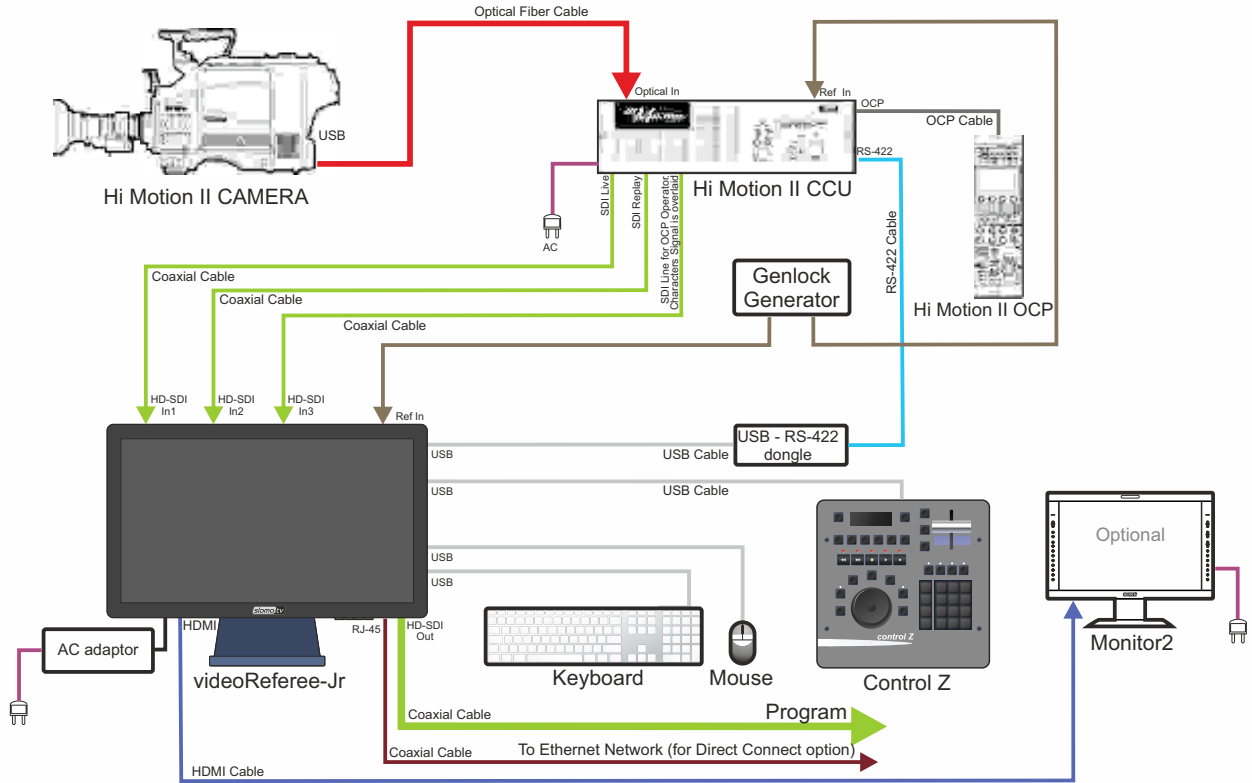


# Hi-Motion Replay

Повторная конфигурация для работы с одной высокоскоростной камерой NAC Hi-Motion II.  
3 входных канала от камеры: SDI Live, SDI Replay, SDI Line к OCP Operator.



- 1 - AC110/220 V 60/50Hz
- 2 - Optical Fiber Connection
- 3 - RS-422
- 4 - SDI Live
- 5 - SDI Replay
- 6 - SDI Line for OCP Operator.  
Characters Signal is overlaid
- 7 - Genlock Signal Connection for either  
HD Tri-sync or SD-BB Signal
- 8 - OCP Cable Connection
- 9 - To Ethernet Network
- 10 - HDMI 1920 x 1080 Interface (Optional)
- 11 - USB for Keyboard and Mouse
- 12 - USB for Remote Control
- 13 - USB for RS-422
- 14 - Program Output

Use Slomo 900 .003. 043. 10 Cable for BNC Connections 4, 5, 6, 7, 14